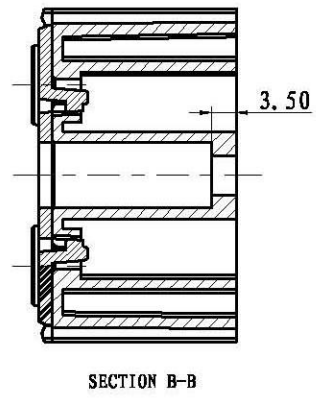
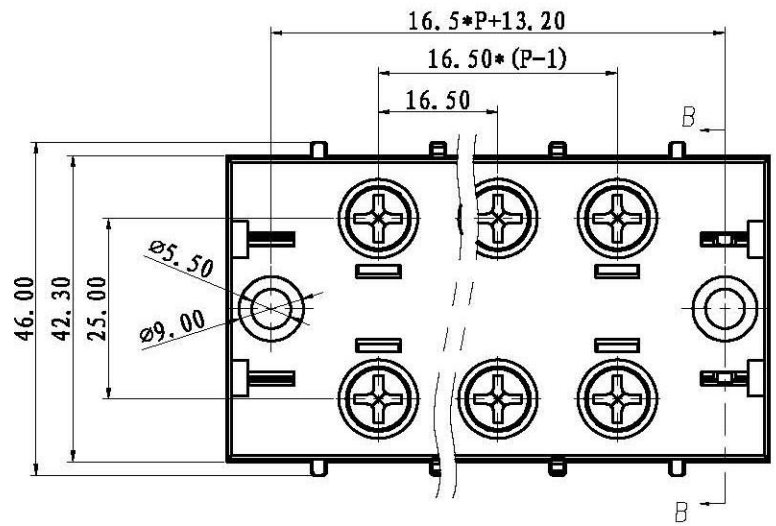
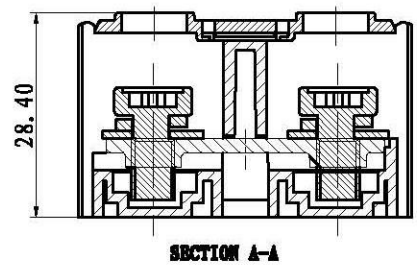
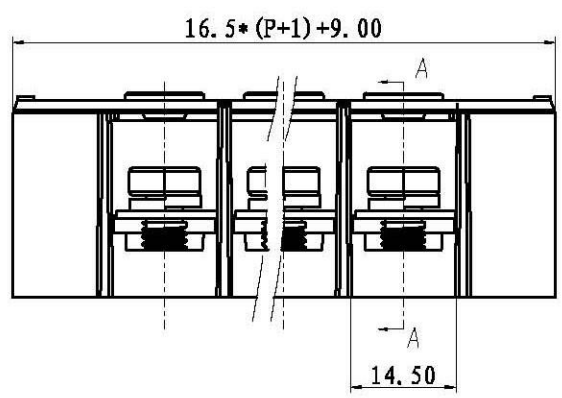


REVISION RECORD			
REV.	CONTENT	MOD.	DATE
△	初版发行		



技术要求:
 额定电压: 600V
 额定电流: 60A
 螺钉类型/扭力: M6/2.5 N.m
 绝缘材料类型: PC
 阻燃等级: V1
 导线截面: 10mm² max



	pitch dimension			Nominal dimension					—
	over 0	over 6	over 10	over 0	over 30	over 60	over 100	over 150	
variable range	to 6	to 10	to 24	to 30	to 60	to 100	to 150		
Tolerance	±0.1	±0.15	±0.25	±0.2	±0.3	±0.5	±0.7	±1.0	

4	TB-60A-防护罩	60TBC706030V	1	PC	透明
3	TB-60A-螺丝	SWBSA6012Q2V	6	碳钢	镀锌
2	JH9-60A-导电件	60TBDD060AV	3	黄铜	镀镍
1	TB-60A-本体	60TBE306030V	1	PC	黑色
NO.	NAME OF PART	NO. OF PART	Q'TY	MATERIAL	NOTES
DES.	LDD	DATE	2016/03/07	UNITS	mm
CHK.	DATE		SIZE	A4	THIRD ANGLE PROJECTION
APP.	DATE		SCALE	1:1	DWG NO.
				SP-2-6T30603	REV: V0
上海联捷电气有限公司 Shanghai Elinker Electric CO.,LTD				TITLE	TB1-60XX-A-00A TB1-60A-成品
					SHEET 1 of 1